

Joint ENISA/ETSI Workshop

Remote Identity Proofing – The Users' View

Secure Digital Identities - The Smartphone Users' View

Christian Stengel

Lead Architect

Deutsche Telekom Security GmbH

May, 3rd 2022



LIFE IS FOR SHARING.

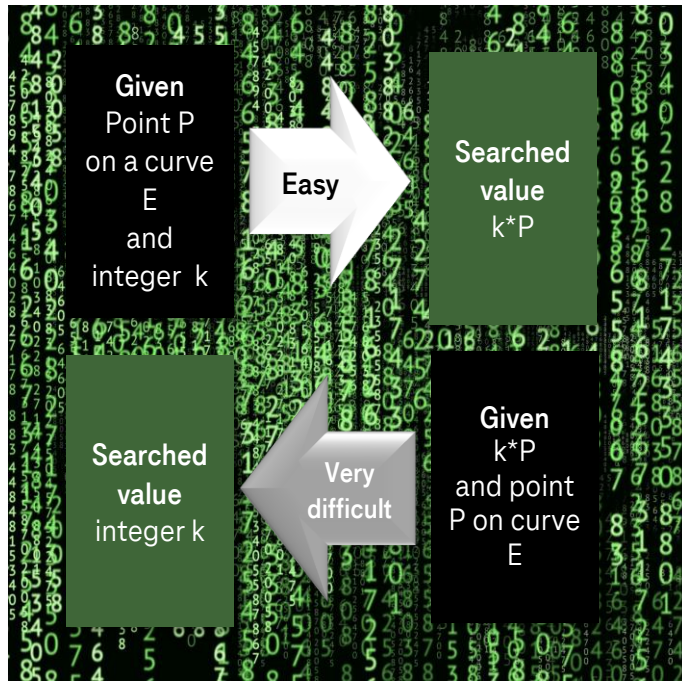


Agenda



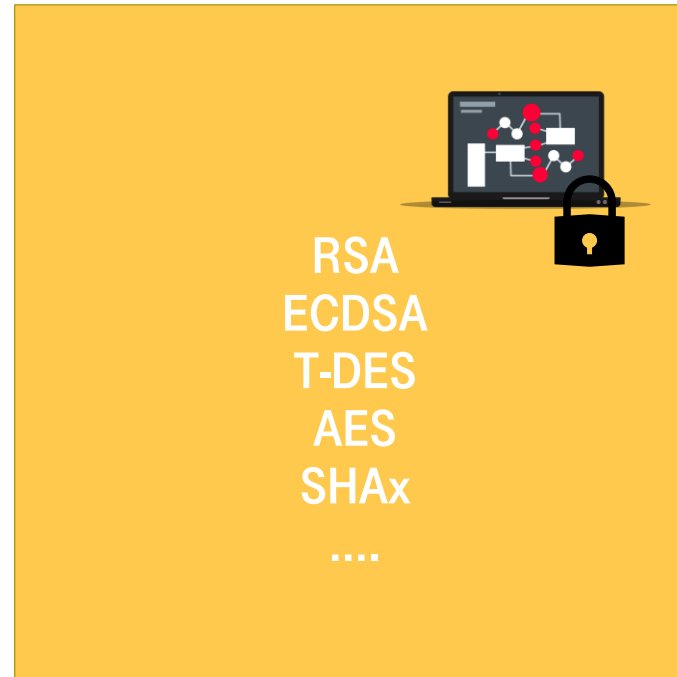
- 01 Motivation – The Smartphone Users' View on eIDs
- 02 What does a Smartphone User expect from an eID?
- 03 The new eIDAS Regulation addresses the User
- 04 Smart-eID – the German ID-card on Smartphones
- 05 Showcase Projects in Germany

Motivation – The Smartphone Users' View on eIDs



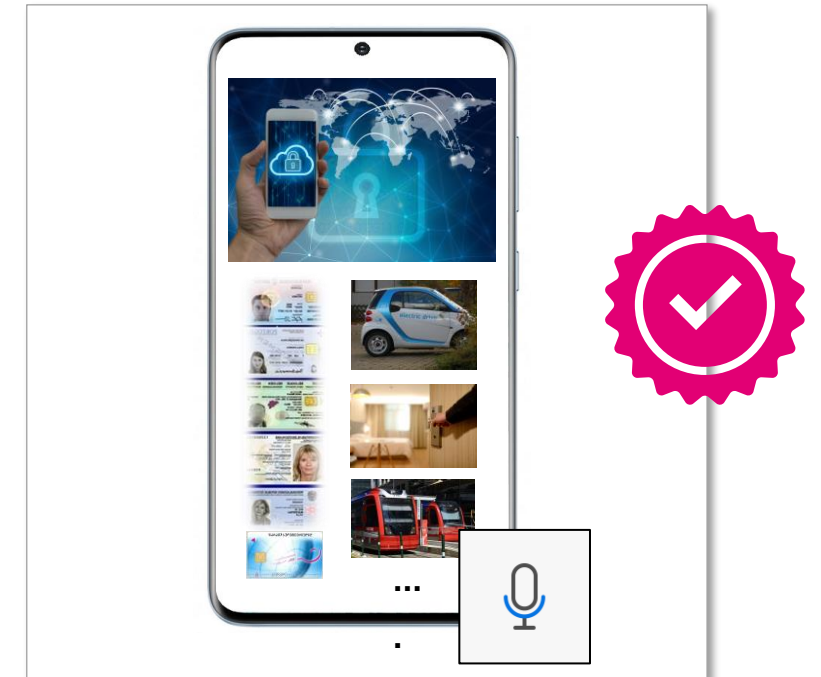
Calculation on Elliptic Curves

Not really interesting for users
But necessary for some forms of cryptography



Cryptographic Algorithms for eIDs

Interesting for a few users
But necessary to make applications secure



(Secure) Apps on my Smartphone

Very interesting for all users



What does that mean?

The user is not really interested in eIDs!

An eID can not really be „sexy“ – it is only a means to an end for the used applications.



What does a Smartphone User expect from an eID*?

And what should he expect?

01

Major factor: Usability

- Easy installation
- Intuitive way of usage
- No need for “memorization of 100s of passwords”
- Interoperability, One ID f. different purposes (e.g. single sign on)

02

Privacy / Security

- Secure smartphone applications.
- Guaranteed **privacy**
- **Protection** of data against different attacks (unwanted copying, identity thefts, ...).

03

Sustainability

- Small carbon footprint due to climate change.
- **Long-term usability** for the own ID.

04

Digital Sovereignty

- **Self-determined** usage of the ID under full control and exchange of data.

* According to group research a Telekom Laboratories / studies

The new eIDAS Regulation addresses the User

Supported by ENISA
in the field of trust
services.

The eIDAS regulation from 2014 is an important basis for secure eIDs for the public sector.



It was revised in 2021 as part of the "Strategy for shaping Europe's digital future".

Goal of the Revision



Increase in acceptance and market reach.



Secure access to a variety of private and commercial services.



Support for "legal" identities such as IoT devices.



Options for integrating existing ID solutions.



Simplification of the notification process by creating modules to be notified individually.



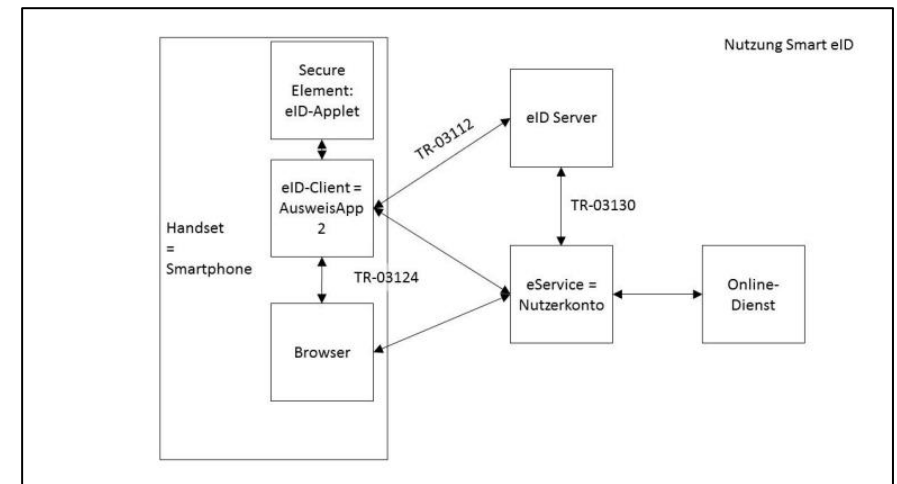
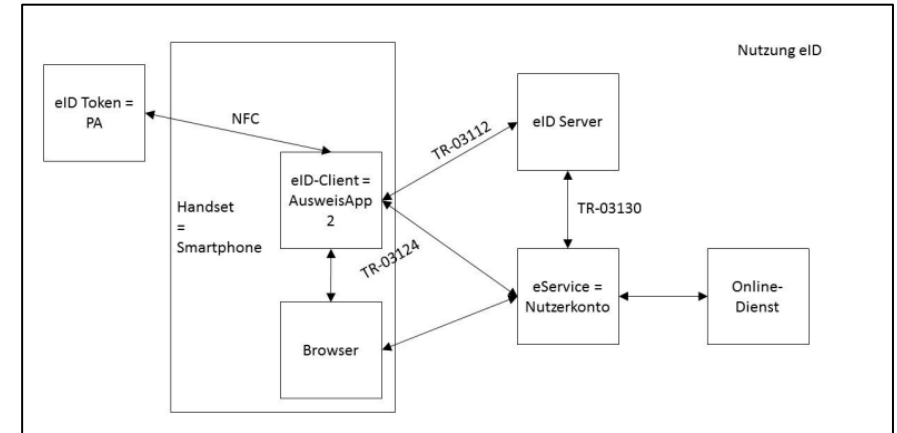
Development of technical standards for a common EU-ID toolbox.

Smart-eID – the German ID-card on Smartphones

- Deriving the identity from data on the German ID card and storing this data as smart-eID in the secure element of a mobile device.
- Currently piloting the first service providers (e.g. federal user account), others to follow.
- Integrating the Smart-eID identification and authentication process analogous to the current functionalities of the German ID card.



Source: Federal Ministry of the Interior and Community



Source: Guidelines for integrating the Smart-eID into a user account

BMWK* – Showcase Projects in Germany

Innovation competition "Showcase Secure Digital Identities" funded by the BMWK (until 2024)

Four showcase projects that show approaches for new open, interoperable and **easy-to-use ID ecosystems**.

The projects are carried out and tested in practice in the model regions

- Saxony (Project ID-Ideal),
- Cologne and Berlin (Project IDunion),
- Hesse, Bavaria and North Rhine-Westphalia (ONCE project) and
- Karlsruhe/Rhein-Neckar metropolitan region (Project SDIKA).

Technically, the projects are primarily based on decentralized IDs with the integration of the smart eID.

E.G. ONCE deals with a wide variety of use cases in different ecosystems



- **Ecosystem municipality and administration:**
Digital guest registration, digital move house in Germany and regulatory needs for applications.
- **Ecosystem traffic and mobility:**
Registration at car rental/sharing companies, digital driver's license,
- **Ecosystem hotel and tourism:**
Hotel registration and check-in, digital spa and guest card,



Source: Consortia

Main Conclusions:

- **Users expect security** but do not want to think about it!
- **Security and privacy do not have an end in itself** and have to be guaranteed by design.
- **We need a large number of use cases** to increase acceptance and market reach.



**Thank you for your
attention!**



LIFE IS FOR SHARING.



Dipl.-Math. Christian Stengel
Lead Architect



Deutsche Telekom Security GmbH
christian.stengel@telekom.de